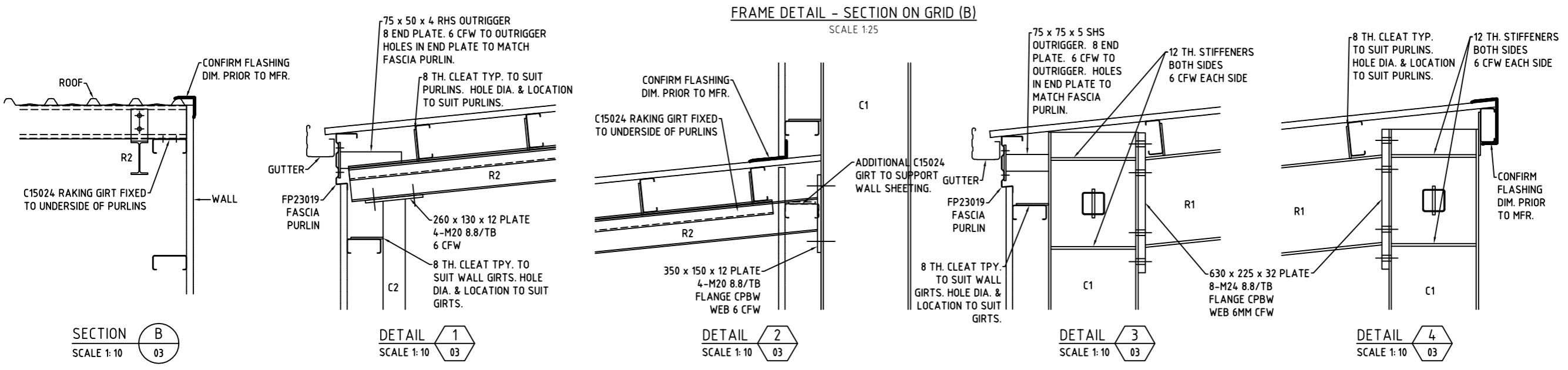


GENERAL NOTES

- THIS PLAN IS TO BE READ IN CONJUNCTION WITH GENERAL AND PROJECT SPECIFIC NOTES ON DWG 1193-01, STRUCTURAL STEELWORK NOTES ON DWG 1193-02 AND CONCRETE NOTES ON DWG 1193-04.



FRAME DETAIL - SECTION ON GRID (B)
 SCALE 1:25

FOR COMMENT

B	For Comment	17/02/2012
A	For Review	18/11/2011
Rev.	Description	Date

REVISIONS

Client:	PUMPTech TASMANIA ON BEHALF OF KOMATSU AUSTRALIA	
Project:	MACHINERY WASHDOWN FACILITY KOMATSU AUSTRALIA - CAMBRIDGE	
Drawing Title:	WASHDOWN FACILITY - PORTAL DETAIL	
Original Size:	Drawn:	Approved:
A1	SJW	
Scale:	Drawing No:	Rev:
AS SHOWN	1193-03	B